



GB

BA-Nr.: 02.07.132/2016-12



**REBOTEC**

**REBOTEC®** Rehabilitationsmittel GmbH

PO Box Q541  
Queen Victoria Building  
NSW 1230

rebotec.com.au  
info@rebotec.com.au



## User Manual

# Self-propelling Shower and Commode Wheel chairs

<p><b>Genf</b> 346.xx.xx</p>
<p><b>Serial Number</b></p>

<p><b>Miami</b> 345.xx.xx</p>
<p><b>Serial Number</b></p>



Picture shows model: 346.54.10

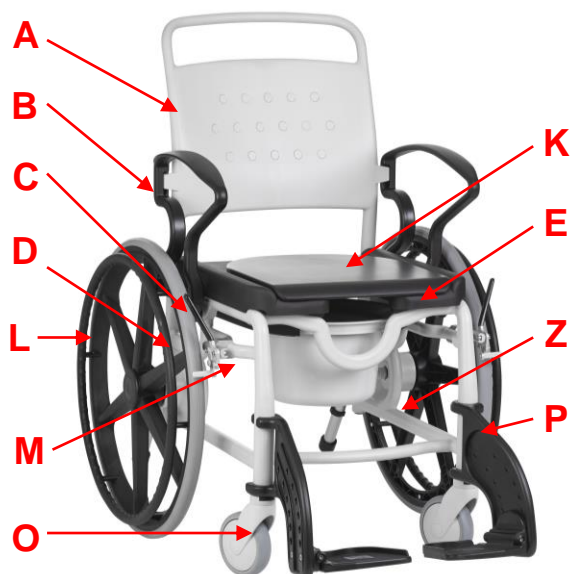


Picture shows model: 345.10.10



### Important advisories!

- Read this User Instructions **before first time** use of the chair and keep it at hand for the user.
- Keep this User Instructions booklet at hand for future use and subsequent sales.
- The user instructions and the maintenance manual are downloadable on our homepage.

**Product description (version: .10)**

version: .20



version: .30

**Chair illustration shows:**

<b>A</b>	Backrest
<b>B</b>	Armrests swingable
<b>C</b>	Locking pins
<b>D</b>	Chair frame
<b>E</b>	PUR seat with or without hygiene opening
<b>F</b>	Shower seat
<b>G</b>	Toilet seat
<b>K</b>	PUR seat cushion (removable)
<b>L</b>	Wheel castor with Grip wheels for self-propelling
<b>M</b>	Locking brakes for grip wheels
<b>O</b>	Wheel castor 5" without brake
<b>P</b>	Footrests with foot plates (adjustable)
<b>V</b>	Commode pan with lid
<b>Z</b>	Nameplate for product

**Packaging**

We recommend, if possible, keeping the packaging for later transport. This will allow secure packaging in the event of a return transport.

**Table of contents**

<b>1.</b>	General suggestions	2
1.1	Introduction	2
1.2	Symbols	2
1.3	Intended proper use	3
1.4	Use and storage	3
1.5	Features	3
<b>2.</b>	Warranty	3
<b>3.</b>	Spare parts orders, complaints	3
<b>4.</b>	Reuse, lifetime	3
<b>5.</b>	Disposal	3
<b>6.</b>	Safety advisories, use	4
<b>7.</b>	Product specifications	4
7.1	Scope of delivery	4
7.2	Technical specifications	4
<b>8.</b>	Spare parts	5
<b>9.</b>	Setting up the chair for use	5
<b>10.</b>	Using the chair	6
10.1	Sitting down	6
10.2	Getting up	6
10.3	Swivelling the armrests outwards	7
10.4	Adjusting the footrest height	7
10.5	Folding away footrests	7
10.6	Removing the footrests	7
10.7	Removing the seat	7
10.8	Handling the commode pan	7
10.9	Using the grip wheel brakes	7
10.10	Adjusting the grip wheel brakes	7
10.11	Tip-over prevention	7
<b>11.</b>	Troubleshooting	8
<b>12.</b>	Care	8
<b>13.</b>	Maintenance, Repair	8

**1. General suggestions****1.1 Introduction**

In this manual you will find information on safe and proper installation, use, operation, maintenance and care of the chairs.

Read these operating instructions carefully before using the product. Note in particular the safety instructions and act accordingly.

**1.2 Symbols**

Read the User Manual!



Product conforms to the Medical Products Directive 93/42/EEC



Caution!  
Suggestions



Information!



Danger – Follow safety instructions!



Care



Maintenance

### 1.3 Intended proper use

The shower/commode wheel chair is for homecare and out-patient purposes. The chair is to be used exclusively for assistance during showering or bathing, using a toilet or for transfer of persons inside buildings.

The shower/commode wheel chair is not designed for long periods of sitting.

Persons with limited perception, damage to joints in both arms as well as inability to sit must not use the patient-propelled chair.

### 1.4 Use and storage



Watch out! Risk of damage

The operating temperature of the product should be between **+5 degrees to +40 degrees (Celsius)**. Store the product in a dry place at a temperature between **0 to +40 degrees (Celsius)** and humidity of **30-55%**. Outside these conditions, the product could be used only shortly. Do not store the product near heat sources. Avoid direct sunlight on the product.

The chair is not suitable for use in wet areas (e.g. for saunas, areas with swimming pool-like conditions), as surface discoloration and adverse effects on the mechanical strength can result.

### 1.5 Features

The chairs are made of a plastic frame with tubes. The self-propelling wheel chair has two swivel castors up front and two grip wheels in the rear with locking brakes.

The armrests can be partially swivelled back. The footrests are height-adjustable and can be removed or folded away.

The seat area contains a toilet like opening under which a commode pan with lid can be pushed in. The chairs can be rolled over a conventional bathroom toilet.

(Drive-over height H/B see: 7.2, distance G).

## 2. Warranty

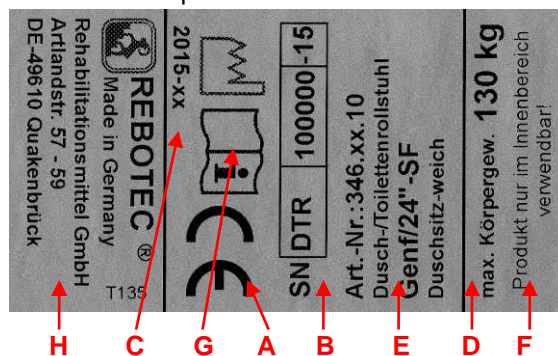
The product has a warranty of **2 years**, when noticing/respecting our general terms and conditions and the intended use of the product. Unauthorized changes made to the product, without the consent of the manufacturer will void the warranty.



The delivery date written on the REBOTEC-delivery note applies as the valid start date of the warranty period.

## 3. Nameplate / ordering of spare parts

On the nameplate you can find the following important information:



A	Mark of conformity (CE)
B	Serial number-product
C	Production year
D	Max. body weight
E	Product name
F	Note (use)
G	Read User Manual
H	Manufacturer details

The nameplate is very important for product identification, and thus must not be removed.



To avoid faulty spare parts orders and to facilitate the handling of customer complaints, it is necessary to provide the product name, serial number (SN) and the product's year of manufacture.

## 4. Reuse, lifetime

The product is suitable for reuse. The number of reoperations depends on the frequency of use and manner of use of the product. Before reuse, the product needs to be hygienically prepared and if necessary the technical-functional safety of the product need to be renewed.

If the product is used as intended, according to the safety, the lifetime of the product is 5 years. The effective lifetime depends on the frequency and intensity of use, and the general condition.

## 5. Disposal

Products that can no longer be used are to be disposed of separately from regular household rubbish. This must be done according to the local and national regulations for environmental protection and raw material recycling. Please contact your local disposal company or officials for further information.



## 6. Safety advisories for use



**When using the chair, the following safety advisories must be observed.**

### Danger of slipping!

- Before using, check to be sure the seat is securely pressed into the seat frame.
- Before using the chair always arrest the castor brakes of the rear wheels (except when moving), or the locking brakes of the wheel castor 24" in order to prevent a roll-away of the chair.
- When sitting down into the chair, the user must not sit on the front edge of the seat or seat cushion. Be sure the user sits all the way back on the seat.

### Danger of tipping over!

- The chair may be used when sitting and when rolling only when the armrests are locked into position.
- The chair may be pushed only using the push bow (backrest).
- The footrests must be swivelled away or folded up whenever the patient sits down or gets up. The patient must never attempt to stand on the footrests.
- The chair must not bump into door sills, jambs or on uneven surface.
- Use the chair only indoors and on solid, even, non-slippery surfaces.
- The chair may be pushed only at a walking speed or less (with or without the patient).
- Do not lean out of the chair (when the chair is still or in motion). If the swivel castors are swivelled inwards, then the stability of the chair is decreased.
- When adjusting the height of the chair, always observe the applicable instructions.

### Danger of breakage!

- **The chair is suitable only for transporting persons. Be sure to observe the maximum allowable patient body weight (specified on the nameplate)!**
- **Never** attempt to carry or lift the chair while a patient is sitting on it.
- Do not grab hold of or pull on attached objects, such as armrest cushions.

### Danger of pinching!

- To prevent body parts or objects from getting pinched, never reach into the hinge area when folding the armrests up or down. Be sure to check that the hinge areas are unobstructed before moving the armrests!
- To prevent body parts from getting pinched, do not reach between the seat and the frame when pressing the seat into the seat frame.
- Be sure other parts do not get jammed when folding and unfolding the footrests.

### Danger of falling!

- Sitting down, standing up and moving the patient should be supervised by a qualified care-worker, as to the health condition of the patient.
- Use of the chair by patients who do not have complete physical control and normal movement must not be done unsupervised.
- Rolling the chair on any sloped surface may be done **only** with the assistance of a care worker.

### Warning! Danger of injury!

- At surface temperatures over 40°C (104°F), there's a risk of injury. Therefore do not expose the chair to any source of heat (exposure to the sun, storing near a heater, cleaning with hot water) just before the chair is used. Before using the chair, allow it to cool down.

Before using the chair from patients with insensitive skin (persons who can't feel any increase of temperature and /or with skin damage) the caregiver has to make a thermal check (with the back of the hand).

Observe the instructions of use (see 1.4).

## 7. Product specifications

### 7.1 Scope of delivery

The product has been carefully inspected in the factory for freedom of defects and for completeness. After having received it, carefully check over the product for possible transport damages and for completeness.

- 1 shower / commode chair (base model)
- 1 backrest
- 2 wheel castors with grip wheels
- 1 seat (optional)
- 1 commode pan with lid
- 1 accessory box
- 1 User Manual

### 7.2. Technical specifications

We reserve the right to make technical developments and improvements with respect to the design shown in the User Manual.

#### Production tolerance of dimensions: +/- 5 mm

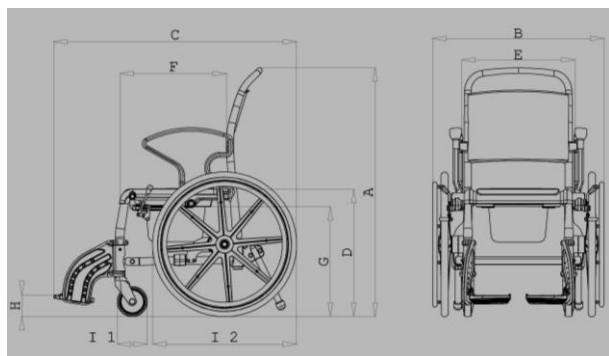
Dimensions	Genf 346..10	Genf 346..20
A. height	1010 mm	1020 mm
B. width	710 mm	770 mm
C. depth	950 mm	950 mm
D. seat height	520 mm	550 mm
E. seat width	450 mm	450 mm
F. seat depth	410 mm	450 mm
G. clearance*	H=43 mm	H=43 mm
	B=380 mm	B=450 mm
H. foot height ca.	100-240 mm	100-240 mm
I1. wheels Ø	5"/125 mm	5"/125 mm
I2. grip rim Ø	24"/600 mm	24"/600 mm
Turning radius	650/1300 mm	700 /1400 mm
<b>Body weight</b>	<b>130 kg</b>	<b>150 kg</b>
Product weight**	23 kg	27 kg



Dimensions	Genf 346..30	Miami 345..10
A. height	1010 mm	1020 mm
B. width	710 mm	770 mm
C. depth	950 mm	950 mm
D. seat height ca.	520 mm	550 mm
E. seat width	450 mm	450 mm
F. seat depth	410 mm	450 mm
G. clearance *	H=430 mm B=380 mm	H=430 mm B=450 mm
H. foot height ca.	100-240 mm	100-240 mm
I1. wheel Ø	5"/125 mm	5"/125 mm
I2. grip rim Ø	24"/600 mm	24"/600 mm
Turning radius	650/1300 mm	700/1400 mm
<b>Body weight</b>	<b>130 kg</b>	<b>150 kg</b>
Product weight**	23 kg	27 kg
Dimensions	Miami 345..20	Miami 345..30
A. height	1020 mm	1020 mm
B. width	770 mm	770 mm
C. depth	950 mm	950 mm
D. seat height ca.	520 mm	520 mm
E. seat width	450 mm	450 mm
F. seat depth	450 mm	410 mm
G. clearance *	H=430 mm B=450 mm	H=430 mm B=450 mm
H. foot height ca.	100-240 mm	100-240 mm
I1. wheel Ø	5"/125 mm	5"/125 mm
I2. grip rim Ø	24"/600 mm	24"/600 mm
Turning radius	700 /1400 mm	700/1400 mm
<b>Body weight</b>	<b>150 kg</b>	<b>150 kg</b>
Product weight**	24 kg	25 kg

\* H = clearance, B = clearance width for toilet

\*\* Figure: product weight without accessories



## 8. Spare parts

Article No.	Name
301.*	Commode pan with lid
307.*	Commode seat, 2-part
308.54	Shower seat, blue
309.*	Pan receptacle
440.10.62	PUR seat cushion
440.10.04	PUR seat with care opening
440.40.89	parking brake, right
440.40.90	parking brake, left
02.07.132	User Manual
02.10.150	Maintenance Instructions

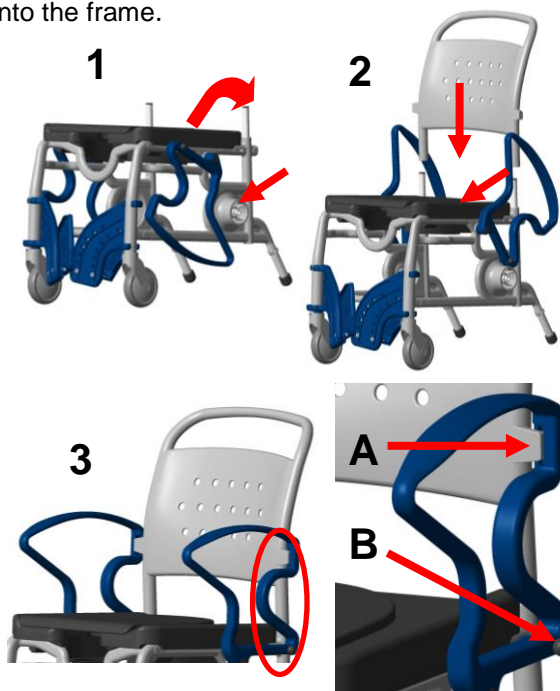
\* provide colour

## 9. Setting up the chair for use

The product is delivered partially pre-assembled. The following assembly instructions must be carried out before first-time use:

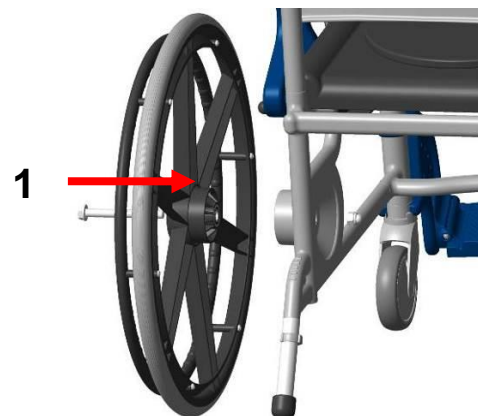
### 1. Install backrest

Place the base frame on a flat surface and rotate the two arms (1) backwards until it stops. Now put the backrest (2) on the two tubes of the chair body and push it all the way to the base. Pivoting the two armrests (3) back to the front, until the tabs (A) of the backrest working in the groove of the arms, and the bolt (B) of the armrest lock into the frame.



### 2. Install the 24" wheel

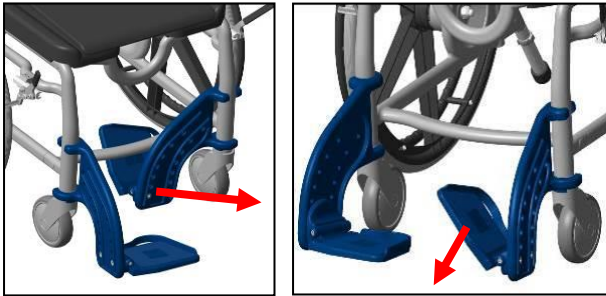
- Place the washer on the screw
- Insert screw (1) from outside through the 24" wheel
- Place the washer on the screw
- Hold the 24" wheel in front of the adapter sleeve and insert screw through both parts
- Attach washer
- Screw the Safety nut
- Tighten the nut (with two 19mm Ring keys)
- Tighten the nut until the 24" wheel still turns!
- Push on to the grey and the black caps





### 3. Align footrests

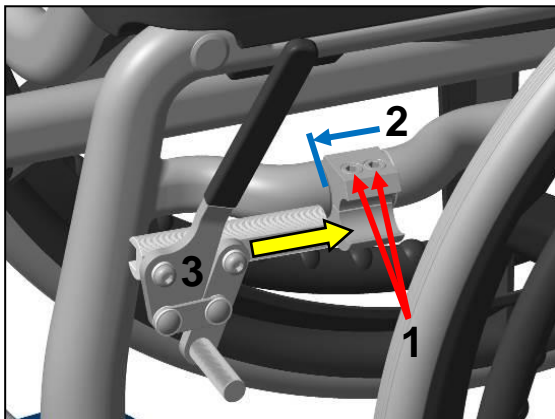
Turn the footrests forwards until they click into position. Then unfold the foot supports downwards. Finally adjust the height of the footrests (see: 10.4).



### 4. Install the parking brake

Loose the two screws from the brake holder (1) and extent to push it to the frame. Then push the brake holder until it stops (2) and tighten the two bolts. Push the brake lever (3) into the brake holder opening. Please note that it's straight.

**Please note left / right!**




5. Adjusting the parking brake (see: 10.10).

6. Adjust the foot support height (see: 10.4).

## 10. Using the chair

When using the chair, the following points must be adhered to:

 Before use it must be assured that the chair is in a proper condition for safe use. If necessary, depending on the physical and strength limitations of the user (patient's ability to move and muscle strength), sitting down and getting up **should not be done without assistance from a care worker**. The chair may not be used for long patient transport times.

### 10.1 Sitting down

Before sitting down in the chair, be sure it is secured against slipping away (see: 10.9) and tipping over, that the armrests are locked into

position, that the shower/commode seat is properly mounted, and that the footrests are folded away to the side or folded up.

**1**



The patient must stand as closely as possible near the chair. Then he to sit down slowly on the seat while supporting himself on both armrests.

If this is not possible due to his physical limitations, then a care-worker must assist him. If necessary a patient lifter may have to be used.

**2**



### Caution – danger of falling!

To prevent the patient from falling out of the chair, be sure the patient is seated completely on the chair, and not just on the edge.

For transporting the patient, be sure he is leaned back against the seat back and be sure he uses the footrests.

### 10.2 Getting up

Before getting up, be sure the chair is stable and secured against slipping away (see: 10.9) and tipping over, that the armrests are locked in position, and the footrests are folded away to the side or folded up.

The patient must then move his body forward until his feet are flat on the floor.

**3**



The patient must then place both hands on the armrests and slowly lift himself up.

The patient must not lean too far forwards, in order to avoid falling.

The patient should have the care worker assist him when getting up.

**4**




### Caution – danger of falling!

The patient must not stand on the footrests when sitting down, getting up, or leaving the chair



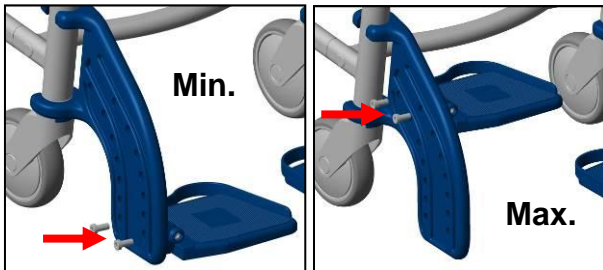
### 10.3 Swivelling the armrests outwards

By pulling out the locking pin, the locking mechanism is disengaged and the armrests may be swivelled back. When swivelling the armrests up, check to be sure that the armrests are properly seated in the locking position of the backrest and locked by the locking pin.

 Check the locking mechanism on a regular basis for impaired function arising from calcium deposits, which can impair the movement.

### 10.4 Adjusting the footrest height

The footrests are height-adjustable at 7 stages/ 100-240 mm. To do this, unscrew the screws of the footrests on the side using an SW 5 Allen key. Select the appropriate height and tighten the screws of the footrest. Be sure the screw is securely seated.



### 10.5 Folding away the footrests

Next swivel the footplates upwards and lift the footrests. The footrests can now be swivelled back to the side.

### 10.6 Removing the footrests

Lift up the footrests approx. 100 mm and turn them outwards 90°. Now you can lift the footrests up and remove them.

### 10.7 Removing the shower / commode seat

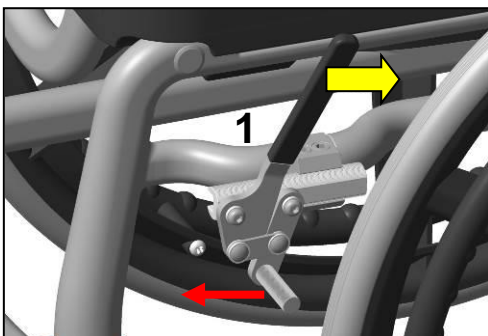
The seat can be removed from its receptacles for the purpose of cleaning or exchanging simply by pulling it up.

### 10.8 Handling the commode pan

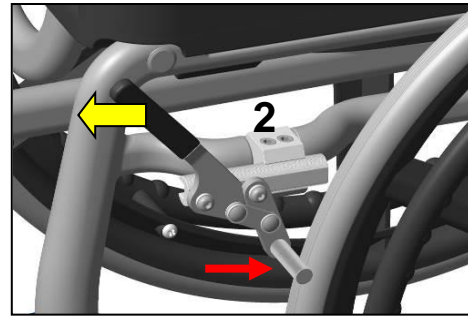
Push the commode pan under the seat from behind the chair. To remove the pan, lift it up slightly and pull it out.


### 10.9 Operation parking brake

The parking brake on the wheel 24 "is achieved by pulling (1) of the lever to the rear.



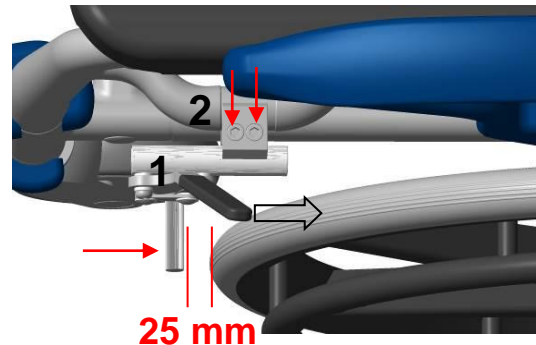
Pressing the lever (2) forward, the wheel is braked. Press the lever all the way!




 If the braking effect is not sufficient, or it diminishes over time due to wear, then it is necessary to adjust the brakes.

### 10.10 Setting the parking brake

Press the lever (1) all the way back. Slightly loose the Allen screws (2) of the parking brake with a wrench (A/F 5 mm). Push the parking brake to about 25 mm in front of the wheel profile and tighten the screws.



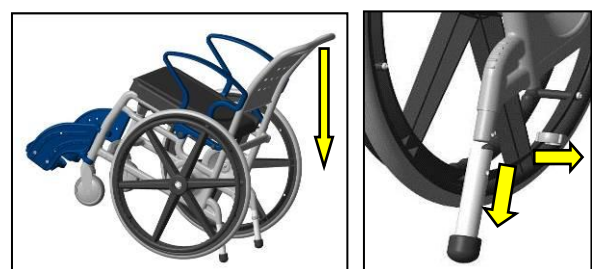
Check the operation of the parking brake by pushing the lever forward. If the braking effect is not sufficient, re-adjust (reduce or enlarge the distance).

 The individual setting and re-adjustment of the parking brake must be carried out by a qualified dealer. This also relates to the change, renovation or repair of a parking brake.

### 10.11 Tip-over protection

In order to overcome objects, the patient-propelled chair can be tipped back. In doing so, the front wheels are lifted up from the ground, thus allowing an obstacle to be overcome.

Firmly place both hands on the backrest and tip the chair back until the fixed legs almost reach the floor. By pulling the clip out, the anti-tip tube can be removed.





## 11. Troubleshooting

Fault	Poss. cause	Correction
Armrests do not swivel properly	Locking pins are caked up with deposits	Clean, check periodically
Locking pins cannot be pulled out	Caked up, tension spring is jammed or defective	Clean, replace locking pin
Footplate cannot be flipped	Deposit build-up in the hinge, jamming	Clean, check screw connection
Brake lock does not brake	Generally defective	See Section Maintenance!
Wheel turns with difficulty	Deposits, build-up	Clean
Wheel does not turn	Generally defective	See Section maintenance!
Wheel is no longer round	Wheel is unevenly worn	See Section maintenance!
Chair frame too unstable	Screws are loose	Tighten the frame screws and the wheel units
Castor wheels are bent	Crashed into obstacles	See Section maintenance!

## 12. Care



In general the chair can be cleaned using a mild conventional cleaning and disinfecting agent. Simply wipe the chair with clean water and cloth, and then wipe dry with a clean cloth.

Do not use an abrasive scouring agent or cleaner (read the product instructions!) that contain aggressive solvents (acids, thinners). Do not use stiff cleaning brushes, as these will damage the plastic surfaces or cause deposits to build up on the plastic parts and other materials.

- i** Keep the product clean and clean it in regular intervals. In the sensitive areas is hygiene very important.

## 13. Maintenance, Repair

The cause of accidents or damage may be due to the late detection of wear and/or improper use, as well as irregular or no maintenance.



For safety reasons and for preventing accidents, the chair must undergo a **complete maintenance at least once a year**. (Refer to the Medical Products Act and the MPBetreibV).



## Maintenance

**Periodic safety-related controls are needed:**

- Check for apparent damage: (cracks, fractures, loose parts)
- All screwed connections for tightness (especially the castor wheels and the frame).
- Function of the armrests and locking pins.
- Function of the footrests (replace defective footrests).
- Rolling ability, check function of the wheels (replace defective wheels).
- Check accessories for defects



## Repair

- If you have questions concerning maintenance and repairs to the chair, then contact an authorized dealer or medical equipment supply outlet.
- When making repairs, use only original spare parts from REBOTEC. Observe all advisories concerning guarantee and warranty.
- Never make any unauthorised modifications or conversions to the chair. These will only adversely affect the safety and function of the chair. **In such cases REBOTEC assumes no liability!**
- Follow all the instructions when ordering spare parts, re-use and product lifetime of the chair.
- After a complete maintenance or repair of the chair is done, we recommend a complete cleaning for assuring hygiene. Follow the cleaning instructions.



For documenting maintenance, REBOTEC supplies a *Maintenance Report – Chairs*. Here you will find information on maintenance and forms for documentation. You can order the *User Manual* and the *Maintenance Report* or see via our website at [www.rebotec.de](http://www.rebotec.de). It is possible to print out the information and to read it as needed.

## We also supply

- Walking aids
- Shoulder crutches
- Shower stools
- Shower and commode chairs
- Multifunction-Wheel Chairs Rollators
- Patient lifting hoists Standing up aids

Your **REBOTEC** Team