

# Phoenix

Multifunction-Wheelchair



rostfrei  
leicht zu reinigen  
sehr gut zu  
desinfizieren  
langlebig

[www.rebotec.de](http://www.rebotec.de)

# Phoenix

Multifunction-Wheelchair

*Tilting adjustment  
infinitely variable!*



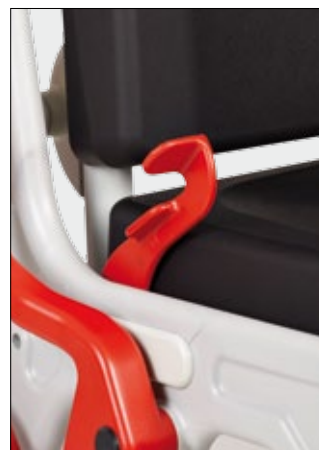
ref.no. 350.30.40



adjustable headrest

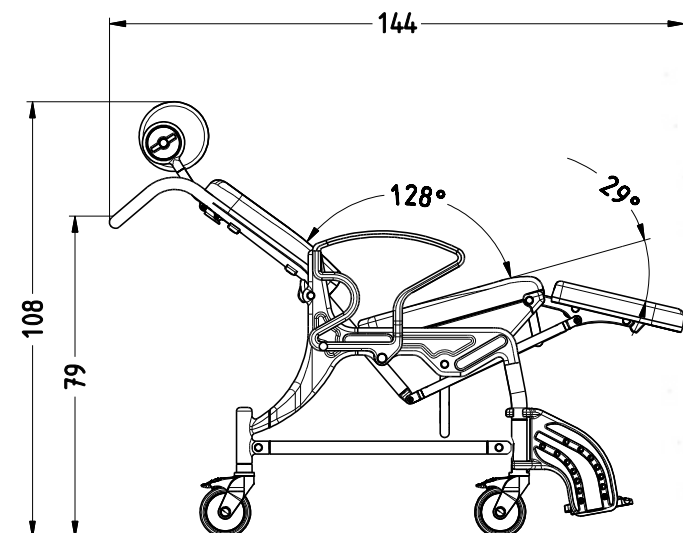
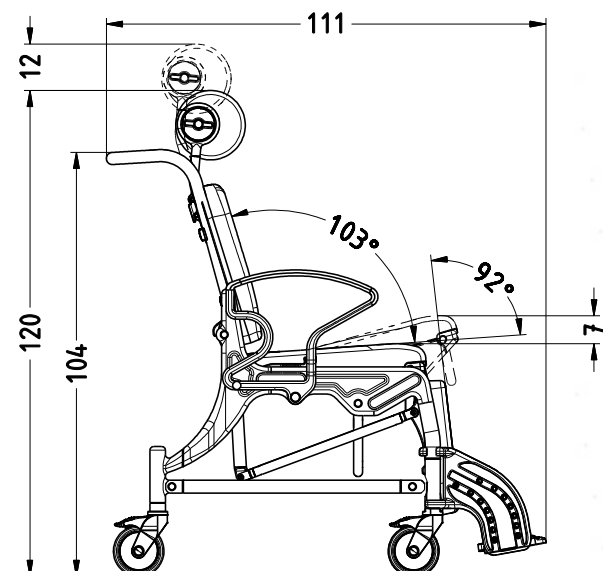


swinging armrest



lever lock for reclining

All dimensions in cm.



**Equipment:**

- adjustable headrest
- tilting adjustment
- swinging armrest
- 4 braked 5-inch swivelling castors
- approved up to 150 kg body weight

**Phoenix**

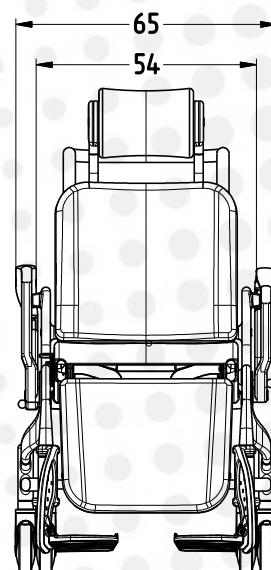
- seat with hygiene opening
- incl. bucket and bucket device

ref. no. 350...10

**Phoenix**

- seat without hygiene opening

ref. no. 350...40



| Colour         | Colourcode |
|----------------|------------|
| grey/grey      | 03         |
| grey/black     | 10         |
| grey/fire-red  | 30         |
| grey/rubin-red | 44         |
| grey/blue      | 54         |

| Type:             | Phoenix    | Phoenix  |
|-------------------|------------|----------|
| depth:            | 111 cm     |          |
| width:            | 65 cm      |          |
| seat depth:       | 43 cm      |          |
| seat height:      | 58 cm      | 57 cm    |
| seat width:       | 54 cm      |          |
| weight:           | 29,3 kg    | 28,8 kg  |
| max. body weight: | bis 150 kg |          |
| ref. no.:         | 350...10   | 350...40 |



# Phoenix

Multifunction-Wheelchair, height adjustable

*Height adjustment  
electrically or  
hydraulically*



ref.no. 352.10.10



electric drive

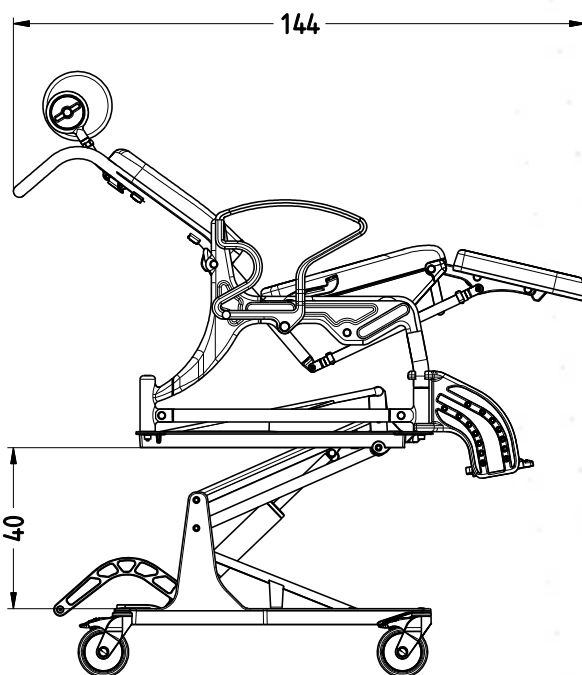
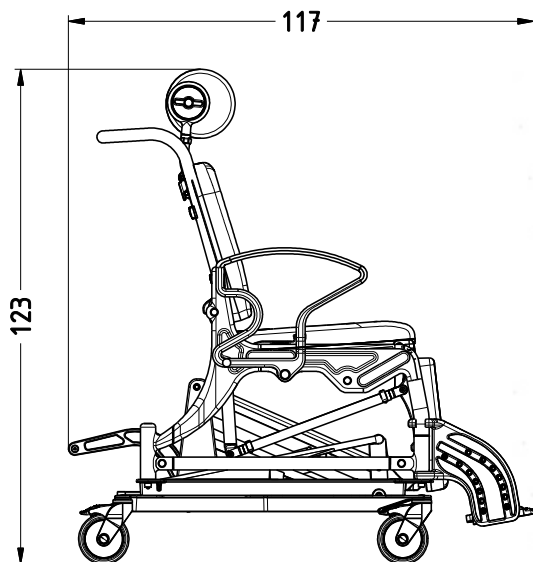


hydraulically height  
adjustable Phoenix



hydraulic drive

All dimensions in cm.



**Equipment:**

- height adjustable
- adjustable headrest
- tilting adjustment
- swinging armrest
- 4 braked 5-inch swivelling castors
- approved up to 150 kg body weight

**Phoenix**

with electrical height adjustment

- seat with hygiene opening
- incl. bucket and bucket device

**ref.no. 352. ... 10**

**Phoenix**

with electrical height adjustment

- seat without hygiene opening

**ref.no. 352. ... 40**

**Phoenix**

with hydraulic height adjustment

- seat with hygiene opening
- incl. bucket and bucket device

**ref.no. 351. ... 10**

**Phoenix**

with hydraulic height adjustment

- seat without hygiene opening

**ref.no. 351. ... 40**

| Colour         | Colourcode |
|----------------|------------|
| grey/grey      | 03         |
| grey/black     | 10         |
| grey/fire-red  | 30         |
| grey/rubin-red | 44         |
| grey/blue      | 54         |

| Type:             | Phoenix electrical |             | Phoenix hydraulic |             |
|-------------------|--------------------|-------------|-------------------|-------------|
| depth:            | 112 cm             |             | 117 cm            |             |
| width:            | 68 cm              |             | 68 cm             |             |
| seat depth:       | 43 cm              |             | 43 cm             |             |
| seat height:      | 60-100 cm          | 59-99 cm    | 60-100 cm         | 59-99 cm    |
| seat width:       | 54 cm              |             | 54 cm             |             |
| weight:           | 53,6 kg            | 53,0 kg     | 52,4 kg           | 51,8 kg     |
| max. body weight: | bis 150 kg         |             | bis 150 kg        |             |
| ref. no.:         | 352. ... 10        | 352. ... 40 | 351. ... 10       | 351. ... 40 |

# Accessories

## *Comfort headrest*

- *increased lateral support*
- *adaptable neck- or headrest through off-center rotation*



ref.no. 350.54.10



**Accessories:**

**1. IV pole**

ref. no. 440.00.93

**2. Headrest, lateral support**

ref. no. 450.10.59

**3. Safty belt**

size M/L

- chest and pelvic belt

ref. no. 322.30.20

**4. Armrest cushion**

ref. no. 440.10.32

**5. Splash protection**

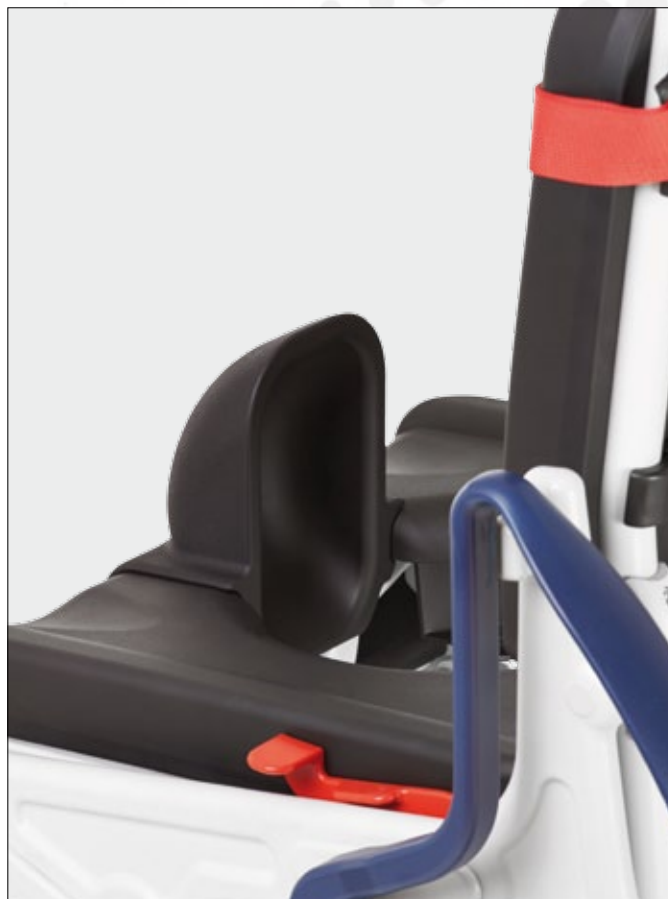
ref. no. 440.10.40

**6. Safety belt**

size S

- leg belt

ref. no. 322.30.10



[www.rebotec.de](http://www.rebotec.de)

Distributed by:

**REBOTEC®** Rehabilitationsmittel GmbH

D-49610 Quakenbrück · Artlandstraße 57 – 59 · Fon +49 (0) 5431 9416-0 · Fax +49 (0) 5431 9416-66

[www.rebotec.de](http://www.rebotec.de) · [info@rebotec.de](mailto:info@rebotec.de)