

Regia



Configure your ideal, tailor-made bed

Name

Date

Company

Customer number

1. Basic model

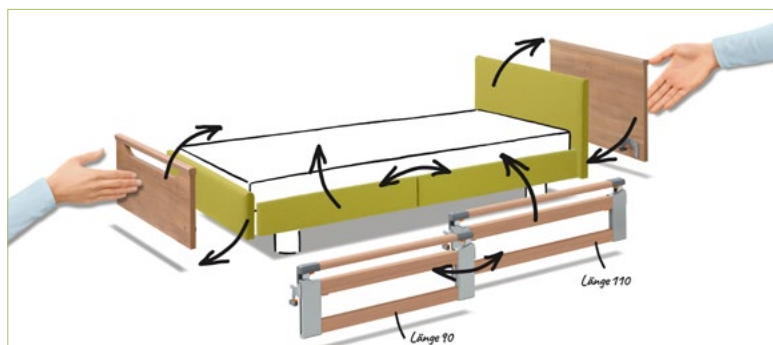
Item number 287900

✓	Product	Description	Item number	Price
	Regia care bed 90 x 200 cm	Mattress base and chassis <ul style="list-style-type: none"> • 4-section mattress base with metal slats • Height adjustment range of 26 - 80 cm • Central braking system and homelike castor covers 	ZLFB000	
	Regia care bed 100 x 200 cm	Mattress base width of 100 cm for extra comfort	ZLFB002	
	Regia movo care bed 90 cm	<ul style="list-style-type: none"> • 100-mm double castors for easy manoeuvring • Directional castor facilitates steering of the bed • Height adjustment range of 28 - 83 cm 	MVS_003	
	Regia movo care bed 100 cm		MVS_003	
<p>The comfort mattress base and bed extension can be selected in Section 5 “Accessories and optional equipment”. You can find the dimensions of the bed in the appendix of this brochure.</p>				



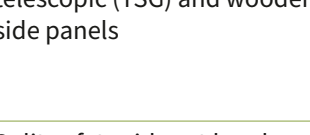

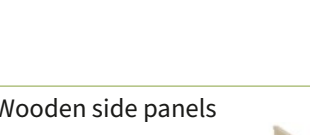





The Regia is supplied with the patented Easy Switch system for all attachments.


Head and footboards, split safety sides and side panels can be quickly and easily fitted without using any tools. They are attached with easy-to-operate fasteners.



2. Side elements

✓	Product	Description	Item number	Price
	Split safety sides at both ends, telescopic (TSG) 	these consist of: <ul style="list-style-type: none"> • 2 x TSG 110 cm • 2 x TSG 90 cm • For attachment at head or foot end as required 	SEE_001	
	Split safety sides at head end, telescopic (TSG) and wooden side panels 	these consist of: <ul style="list-style-type: none"> • 2 x TSG at head end 110 cm • 2 x wooden side panels at foot end 90 cm • TSG 110 cm is fully compliant with the standards 	Specify all of the following: SEE_004 SEA_001 SBU_001	
	Split safety side at head end, telescopic (TSG) and wooden side panels 	these consist of: <ul style="list-style-type: none"> • 2 x TSG at head end 90 cm • 2 x wooden side panels at foot end 110 cm • TSG 90 cm leaves plenty of room for getting in and out of bed 	Specify all of the following: SEE_004 SEA_002 SBU_001	
	Split safety sides at head end, telescopic (TSG), and fabric/faux leather side panels 	these consist of: <ul style="list-style-type: none"> • 2 x TSG at head end 110 cm • 2 x fabric/faux leather side panels at foot end 90 cm • TSG 110 cm is fully compliant with the standards 	Specify all of the following: SEE_004 SEA_001 SBU_002	
	Split safety side at head end, telescopic (TSG) and fabric/faux leather side panels 	these consist of: <ul style="list-style-type: none"> • 2 x TSG at head end 90 cm • 2 x fabric/faux leather side panels at foot end 110 cm • TSG 90 cm leaves plenty of room for getting in and out of bed 	Specify all of the following: SEE_004 SEA_002 SBU_002	
	Wooden side panels 	these consist of: <ul style="list-style-type: none"> • 2 x wooden side panels 110 cm • 2 x wooden side panels 90 cm • For attachment at head or foot end as required 	Specify all of the following: SEE_003 SBU_001	
	Fabric/faux leather side panels 	these consist of: <ul style="list-style-type: none"> • 2 x fabric/faux leather side panels 110 cm • 2 x fabric/faux leather side panels 90 cm • For attachment at head or foot end as required 	Specify all of the following: SEE_003 SBU_002	
	Full-length safety sides on both sides (DSG) 	these consist of: <ul style="list-style-type: none"> • 4 x safety side bars 200 cm • 2 x side panels 200 cm 	SEE_002	

3. Headboards and footboards






✓	Product	Description	Item number	Price
	Primus 	<ul style="list-style-type: none"> • 1 x headboard, closed, with solid wood bar • 1 x footboard with open handle and solid wood bar 	KFH_022	
	Primus-Low 	<ul style="list-style-type: none"> • 1 x headboard, closed, with solid wood bar • 1 x footboard with low-level open handle and solid wood bar for a clear view of the room 	KFH_023	
	Prinzino 	<ul style="list-style-type: none"> • 1 x headboard with open handle bar made of solid wood • 1 x footboard with open handle bar made of solid wood 	KFH_004	
	Nobla Cannot be combined with full-length safety sides (DSG) 	<ul style="list-style-type: none"> • Headboard Nobla • Footboard Nobla 	KFH_011	
	Nobla mala Cannot be combined with full-length safety sides (DSG) 	<ul style="list-style-type: none"> • Headboard Nobla • Low-level footboard Nobla mala 	KFH_013	
	Nobla (upholstered) Cannot be combined with full-length safety sides (DSG) 	<ul style="list-style-type: none"> • 1 x headboard, upholstered • 1 x footboard, upholstered • Fixed upholstery with non-removable fabric/faux leather • See Section 4 for properties 	KFH_019	
	Nobla mala (upholstered) Cannot be combined with full-length safety sides (DSG) 	<ul style="list-style-type: none"> • 1 x headboard, upholstered • 1 x low-level footboard, upholstered • Fixed upholstery with non-removable fabric/faux leather • See Section 4 for properties 	KFH_020	

4. Wood decors, cover materials and faux leather

✓	Product	Description	Item number	Price
	Standard decor 	Natural Beech R 24010 The friendly, homelike decor to suit every interior design	DHU_027	
	Special decor 	Havana Cherry R 42006 The warm decor with a smoky note for a cosier atmosphere	DHU_024	
	Special decor 	Royal Maple R 27001 The elegant, light-coloured decor with a golden shimmer	DHU_022	
	Special decor 	Lindberg Oak R 20021 The elegant, subtle decor for a wide range of combination options	DHU_044	
	Covering fabric 	Light green Tiba 6210 <ul style="list-style-type: none"> • A young, fresh colour • 100% polyester • Easy to clean • Not removable 	BSH_H006	
	Faux leather 	White 1-1142-197 <ul style="list-style-type: none"> • White faux leather for an elegant designer bed • Easy to clean • Not removable 	BSH_K009	
	Faux leather 	Anthracite 1-1142-395 <ul style="list-style-type: none"> • A modern, subtle colour for a variety of combinations • Easy to clean • Not removable 	BSH_K025	


5. Accessories and optional equipment

✓	Product	Description	Item number	Price
	Patient lifting pole with triangular grab handle	<ul style="list-style-type: none"> • Makes it easier for resident to sit up in bed without assistance • Colour: Argentum • Can be slotted into the lifting pole sleeves on the right or left side at the head end 	AUI_001	
	Bed extension for 90 and 100 cm mattress base widths with split safety sides (TSG)	<ul style="list-style-type: none"> • Extends the mattress base to 218 cm 	ZLFL011	
	Bed extension for mattress base widths with full-length safety sides (DSG)	<ul style="list-style-type: none"> • Extends the mattress base to 220 cm • Including safety sides and side panels 220 cm long 	ZLFL007	
	Linen holder	<ul style="list-style-type: none"> • Shelf at the footboard • Particularly practical for making the bed 	IBA_001	
	Trendelenburg handset	<ul style="list-style-type: none"> • Optional Trendelenburg handset for nursing homes only 	ZHS_003	
	Transmitter holder for handset	<ul style="list-style-type: none"> • With the flexible transmitter holder, the handset is always in the right place. 	199137	
	Handset extension lead	<ul style="list-style-type: none"> • With the 1.40 m extension lead, the handset can be used anywhere in the room. 	238047	
	Plug-in reading lamp	<ul style="list-style-type: none"> • Radiates a pleasant, cosy light 	264877	
	Reading lamp for attachment to the patient lifting pole	<ul style="list-style-type: none"> • Can be slotted into the lifting pole sleeves on the right or left side at the head end 	289177	
	Under bed light	<ul style="list-style-type: none"> • Provides subtle lighting in the hours of darkness for better orientation • The light is switched on with the handset 	UBB_001	

✓	Product	Description	Item number	Price
	Foam leather cover for full-length safety sides (DSG) 	<ul style="list-style-type: none"> Covers the full-length safety sides and protects the resident Two elements are necessary for complete covering 	225921 (one element)	
	Foam leather cover for split safety sides (TSG) 90 cm	<ul style="list-style-type: none"> Covers the telescopic safety sides and protects the resident Four elements are necessary for complete covering 	733670 (one element)	
	Foam leather cover for split safety sides (TSG) 110 cm 		733669 (one element)	
	Serving tray 90 cm 	<ul style="list-style-type: none"> For comfortable mealtimes in bed Only in combination with full-length safety sides (DSG) 	267000	
	Comfort mattress base 	<ul style="list-style-type: none"> 50 spring elements for you to assemble by simply clicking them into place For maximum comfort 	ZLFA003	
	Wall spacer at head end	<ul style="list-style-type: none"> Buffer avoids collisions with walls and sockets and prevents damage Extendable to 3 length settings 	262024	
	Wall spacer at side 		262000	
	Carrying case for safety side bars (full length safety sides)	<ul style="list-style-type: none"> The bars of the safety sides can be transported and stored even more easily with the carrying bag. 	273831	

6. Mattresses and mattress pieces

✓	Product	Description	Item number	Price
Mattress Sky-fit				
		90 cm x 200 cm x 14 cm	283924	
		100 cm x 200 cm x 14 cm	283925	
Mattress Comfort-fit				
		90 cm x 200 cm x 14 cm	283922	
		100 cm x 200 cm x 14 cm	283923	
Mattress Basic-fit				
		90 cm x 200 cm x 12 cm	261477	
		90 cm x 220 cm x 12 cm	261484	
		100 cm x 200 cm x 12 cm	261485	
		100 cm x 220 cm x 12 cm	261484	

✓ Product	Description	Item number	Price
Mattress piece for bed extensions, 90 cm wide 	<ul style="list-style-type: none"> • Extends the mattress when the bed extension is in use • Dimensions (W x L x H): 90 x 20 x 14 and 100 x 20 x 14 cm • Colour: White • with PU cover 	209240	
Mattress piece for bed extensions, 100 cm wide	<ul style="list-style-type: none"> • Dimensions (W x L x H): 100 x 20 x 14 cm • Colour: White • with PU cover 	250270	

Overall dimensions of the Regia

When fitted with the Primus headboard, the Regia 90 x 200 cm has the following overall dimensions:

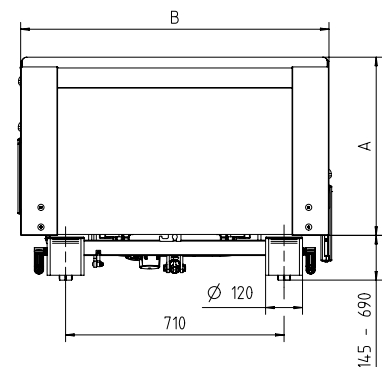
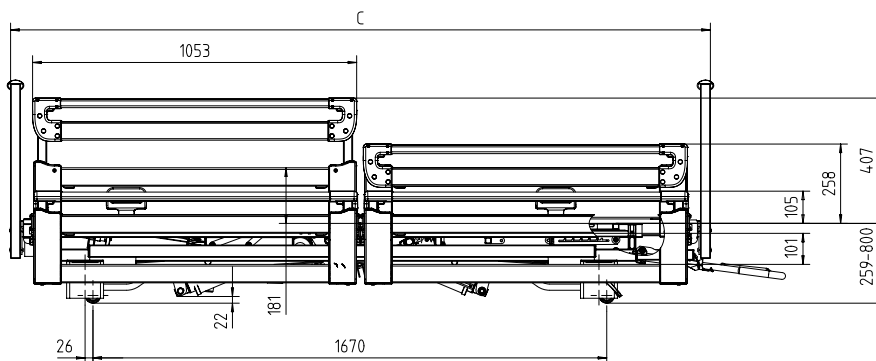
Length: 211.1 cm (with bed extension, split safety sides (TSG): 229.1 cm)

Width: 100.9 cm

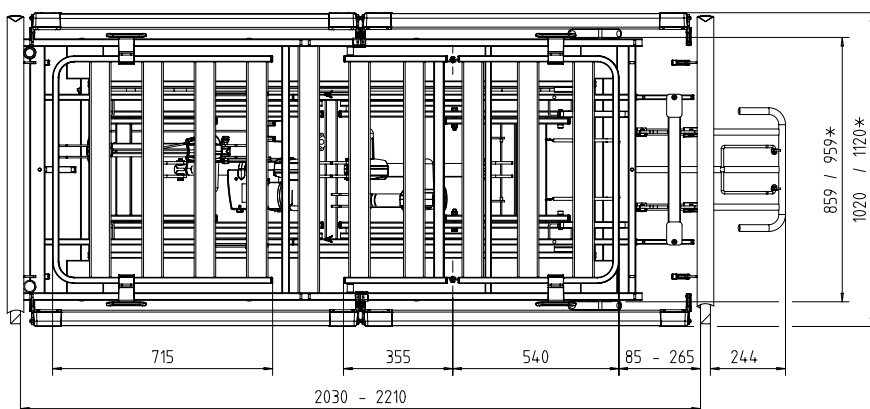
Height, depending on adjustment: 62.1 – 113.2 cm

Ground clearance for lifting equipment: 14.5 cm

The dimensions for all headboard models can be taken from the following drawings (approximate dimensions in mm):



* with a mattress base width of 100 cm



Head and footboards 90 cm			
	A	B	C
Primus	621	1009	2111 - 2291
Primus Low	406	1009	2111 - 2291
Prinzino	579	1002	2116 - 2296
Nobla	551	1006	2126 - 2306
Nobla Reha	221	1026	2126 - 2306

Head and footboards 100 cm			
	A	B	C
Primus	621	1109	2111 - 2291
Primus Low	406	1109	2111 - 2291
Prinzino	579	1102	2116 - 2296
Nobla	551	1126	2126 - 2306
Nobla Reha	221	1126	2126 - 2306

Burmeier GmbH & Co. KG
 Industriestraße 53
 32120 Hiddenhausen
 Phone +49 (0) 5223 9769 - 0
 Fax +49 (0) 5223 9769 - 090
 info@burmeier.com
 www.burmeier.com

A Stieglmeyer-Group company

